



a complete solution in a minimalistic design package



Description

Introducing the Azimut-KAMUT2L1II system - the ultimate audio powerhouse in an incredibly compact package! With two impossibly tiny 3.7-cm-long Lyzard-KZ11 loudspeakers, an ultra-compact Truffle-KTR24 subwoofer, a 219 x 46 x 170 mm Kommander-KA02I amplifier, and a sneaky remote control, the KAMUT2L1II is the most inconspicuous audio solution of the family.

Not only does the Azimut balance analog inputs and fiber optical inputs, it also features plug and play capabilities with Bluetooth connectivity, USB ports, and mini jack input. Plus, with the latest K-array electronics of the new Kommander-KA02I, controlling this system remotely is a breeze! Compatible with any software capable of communicating on the network via REST, you can even use your smartphone and compatible Apps to easily connect and control the Azimut.

This makes the system perfect to be integrated in domotic environments and smart home solutions, compatible with common control systems, like CRESTRON, CONTROL 4, Q-Sys, and many more. With the Kommander-KA02I, 4x 50W @ 4Ω amplifier platform, Azimut became an even more flexible system counting on pristine sound and complete control over the connected loudspeakers and woofers, like Lyzard-KZ11.

All the Azimut-KAMUT2L1II components are designed by the K-array R&D department and are custom made under the K-array quality control system in Italy.

Introducing the Lyzards-KZ11 - the micro point source elements that pack a punch! These speakers are so small, they can fit right into your pocket, yet they're built with durable and resistant aluminum enclosures that come in fresh new finishes.

With 1x 0.5" high-efficiency driver units and neodymium magnet structure, these speakers deliver maximum excursion and minimal residual noise for exceptional sound quality.

And when integrated with the Truffle-KTR24 subwoofer, the result is a powerful, compact, and resistant complete tiny sound system that provides the low-end punch you need for sub and bass range. It's the perfect combination for the ultimate AZIMUT system that not only sounds great but looks great too!

- 2 x KZ11
- 1 x KTR24
- 1 x KA02I
- 1 x K-REMUCTRL
- compact, discreet, minimal visual impact
- remotely controlled and smart apps compatible
- easy to install
- home, retails, restaurants and cafes applications

Azimut-KAMUT2L1II comes in these premium colors

Azimut-KAMUT2L1II / Black

Azimut-KAMUT2L1II / White

Azimut-KAMUT2L1XII / Custom RAL on request

with this finishes for Lyzards components:

Azimut-KAMUT2L1XGII : 24K Gold plated

Azimut-KAMUT2L1XPII : Polished

Azimut-KAMUT2L1 II

Lyzard-KZ11

Technical specifications	
Type	point source
Transducers	0.5" Neodymium
Frequency Response ¹	500 Hz - 18 kHz (-6 dB)
Max SPL ²	86 dB peak
Coverage	V. 140° H. 140°
Nominal Impedance	16 Ω
Power Handling	3.5 W
Connectors	IN + IN- screw terminals

Handling & Finishes	
Material	Aluminum
Colors	Black, White, Custom RAL
IP Rating	IP64
Dimensions (WxHxD)	22 x 37 x 11 mm (0.9 x 1.5 x 0.4 in)
Finishes	24K Gold, Antique Gold, Rose Gold, Polished Steel
Weight	0.021 kg (0.04 lb)

¹ With dedicated preset.

² Maximum SPL is calculated using a signal with crest factor 4 (12dB) measured at 8 m then scaled at 1 m.

Kommander-KA021

Technical Specifications	
Type	4ch switching mode, Class D Amplifier
Output Power ¹	4 x 50 W @ 4 Ω
Frequency Response	20 Hz - 20 kHz (±1 dB)
Built-in DSP	Grouping, equalization, limiters, routing, level, loudspeaker presets
MAINS operating range	Dedicated AC/DC power adapter 100-240V ~ AC, 50-60Hz input / 24V, 4 A
Impedance	minimum 4 Ω (2 Ω PBTL)
Protections	Over Temp. (Power Limiting - Thermal Shutdown), Short Circuit/ Overload Output Protection, Power Limiting, Clip Limiter/ Permanent Signal Limiter, High Frequency Protection
Power Consumption	20 W @ 4 Ω load, 1/8 Rated Power (Pink Noise)

Handling & Finishes	
Material	Aluminum
Color	Black
IP Rating	IP20
Dimensions (WxHxD)	219 x 46 x 170 mm (8.6 x 1.8 x 6.7 in)
Weight	0,7 kg (1.5 lb)

¹ EIAJ test standard

Notes:
 Passive loudspeakers require dedicated presets loaded onboard K-array amplifiers.
 New materials and designs are introduced into existing products without previous notice.
 Present systems may differ in some respects from those presented in this catalog.

Truffle-KTR24

Technical specifications	
Type	passive subwoofer
Transducers	4" ferrite magnet woofer + passive radiator
Frequency Response ¹	45 Hz - 150Hz / 500 Hz (-6dB)
Max SPL ²	112 dB peak
Coverage	Omni
Power handling	60 W
Nominal Impedance	4 Ω
Connectors	2PIN euroblock connector (included)

Handling & Finishes	
Material	Aluminum
Colors	Black, Custom RAL
IP Rating	IP64 ³
Finishes	Powder Matte
Dimensions (WxHxD)	122 x 117 x 199 mm (4.8 x 4.6 x 7.8 in)
Weight	1.5 kg / (3.1 lb)

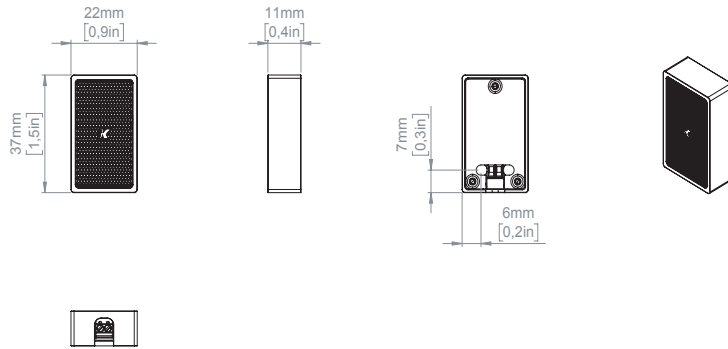
¹ With dedicated preset.

² Maximum SPL is calculated using a signal with crest factor 4 (12dB) measured at 8 m then scaled at 1 m.

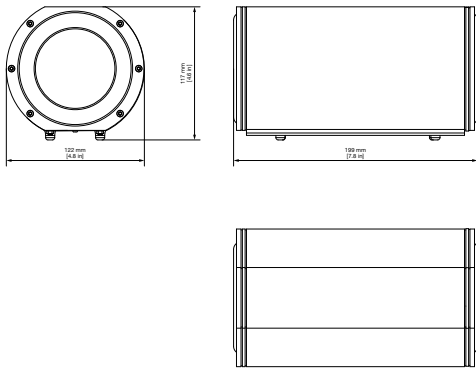
Connections and Remote Control	
Input	4x BAL input: Euroblock 1.5/ 3-ST-3.81, 3.5 mm jack unBAL analog stereo AUX input, TOSLINK optical input
Output	2x Euroblock 2,5/ 4-G-5,08
Digital	4x USB-A 2.0, 1x RJ45 Ethernet, Bluetooth 4.1 Low Energy, Wi-Fi IEEE 802.11 b/g/n
Remote Control	Wi-Fi dedicated K-array Connect mobile app Ethernet wired K-framework3 multiplatform design and tuning software
Compatible Control Systems	CRESTRON, CRESTRON HOME, Q-SYS, CONTROL4, AMX by HARMAN

Azimut-KAMUT2L1 II

Lizard-KZ1 I



Truffle-KTR24



Kommander-KA02 I

